

DH-IPC-HDW1439V-A-IL

4MP Entry Smart Dual Light Fixed-focal Eyeball Network Camera



Series Overview

With features of simple installation, easy operation, and high performance-cost ratio, Dahua Entry series network camera is applicable to small and medium-sized scenes, such as homes/residences, small-sized retail stores, and other small and medium-sized enterprises.

Functions

Smart Dual Light

Dahua Smart Dual Light technology adopts smart algorithm to detect targets. Usually, the IR illuminator is on at night; when the target appears in the monitoring area, the white light is on, and the camera records the full-color video and information of key events. That is, the camera links snapshot and video with full-color image. When the target is out of the monitoring area, the white light is off and the IR illuminator is on, which reduces light pollution efficiently.

Human Detection

Dahua intelligent algorithms extract moving human targets from videos and filters out alarms that are triggered by non-human targets to increase the accuracy and effectiveness of alarms.

Smart H.265+ & Smart H.264+

With advanced scene-adaptive rate control algorithm, Dahua smart encoding technology realizes the higher encoding efficiency than H.265 and H.264, provides high-quality video, and reduces the cost of storage and transmission.

- 4-MP 1/2.9" CMOS image sensor, low luminance, and high definition image.
- Outputs max. 4 MP (2560 × 1440)@25/30 fps.
- H.265 codec, high compression rate, ultra-low bit rate.
- Built-in IR LED and warm light, the max. IR illumination distance is 40m and warm light distance is 40m.
- WDR, 3D NR, HLC, BLC, digital watermarking, applicable to various monitoring scenes.
- ROI, SMART H.264 +/H.265+, flexible coding, applicable to various bandwidth and storage environments.
- Abnormality detection: Motion detection, video tampering, audio detection, network disconnection, IP conflict and illegal access.
- Built in Mic.
- 12 VDC/PoE power supply,easy for installation.
- IP67, IK10 protection.
- Supports human detection.



WDR

With advanced Wide Dynamic Range (WDR) technology, Dahua network camera provides clear details in the environment of strong brightness contrast. The bright and dark area can get clear video even in high brightness environment or with backlight shadow.

Cyber Security

Dahua network cameras employ a series of security technologies, including security authentication and authorization, access control protocols, trusted protection, encrypted transmission and encrypted storage. These technologies improve the camera's defense against external cyber threats and prevent malicious programs from compromising the device.

Protection (IP67, Wide Voltage)

IP67: The camera passes a series of strict test on dust and soak. It has dust-proof function, and the enclosure can work normally after soaking in 1 m deep water for 30 minutes.

Wide voltage: The camera allows $\pm 30\%$ (for some power supplies) input voltage tolerance (wide voltage range), and it is widely applied to outdoor environment with instable voltage.

Technical Specification					
Camera					
Image Sensor	1/2.9" CMOS				
Max. Resolution	2560 (H) × 1440 (V)				
ROM	128 MB				
RAM	128 MB				
Scanning System	Progressive				
Electronic Shutter Speed	Auto/Manual 1/3 s–1/100,000 s				
Min. Illumination	0.006 lux@F1.6 (Color,30 IRE) 0.0006 lux@F1.6 (B/W,30 IRE) 0 lux (Illuminator on)				
S/N Ratio	>56 dB				
Illumination Distance	Up to 40m (IR LED) Up to 40m (Warm light)				
Illuminator On/Off Control	Auto;Manual				
Illuminator Number	1 (IR LED); 1 (Warm light)				
Angle Adjustment	Pan: 0°–360° Tilt: 0°–78° Rotation: 0°–360°				
Lens					
Lens Type	Fixed-focal				
Lens Mount	M12				
Focal Length	2.8 mm;3.6 mm				
Max. Aperture	F1.6				
Field of View	2.8 mm: H: 94°; V: 52°; D: 111° 3.6 mm: H: 78°; V: 41°; D: 94°				
Iris Control	Fixed				
Close Focus Distance	2.8 mm: 1.1 m (3.61 ft) 3.6 mm: 1.7 m (5.58 ft)				
DORI Distance	Lens	Detect	Observe	Recognize	Identify
	2.8 mm	64.0 m (209.97 ft)	25.6 m (83.98 ft)	12.8 m (41.99 ft)	6.4 m (21.00 ft)
	3.6 mm	85.4 m (280.18 ft)	34.2 m (112.20 ft)	17.1 m (56.10 ft)	8.5 m (27.89 ft)
Intelligence					
Human Detection	Support the classification and accurate detection of human				
Smart Search	Work together with Smart NVR to perform refine intelligent search, event extraction and merging to event videos				
Video					
Video Compression	H.265; H.264; H.264H; H.264B; MJPEG (only supported by the sub stream)				
Smart Codec	Smart H.265+; Smart H.264+				
Video Frame Rate	Main stream: 2560 × 1440@(1–25/30 fps) Sub stream: 704 × 576@(1–25 fps)/704 × 480@(1–30 fps) *The values above are the max. frame rates of each stream; for multiple streams, the values will be subjected to the total encoding capacity.				

Stream Capability	2 streams
Resolution	4M (2560 × 1440); 3M (2304 × 1296); 1080p (1920 × 1080); 1.3M (1280 × 960); 720p (1280 × 720); D1 (704 × 576/704 × 480); VGA (640 × 480); CIF (352 × 288/352 × 240)
Bit Rate Control	CBR/VBR
Video Bit Rate	H.264: 32 kbps–4096 kbps H.265: 12 kbps–4096 kbps
Day/Night	Auto(ICR)/Color/B/W
BLC	Yes
HLC	Yes
WDR	120 dB
White Balance	Auto; natural; street lamp; outdoor; manual; regional custom
Gain Control	Auto;Manual
Noise Reduction	3D NR
Motion Detection	OFF/ON (4 areas, rectangular)
Region of Interest (RoI)	Yes (4 areas)
Smart Illumination	Yes
Image Rotation	0°/180°
Mirror	Yes
Privacy Masking	4 areas
Audio	
Built-in MIC	Yes, built-in Mic
Audio Compression	G.711a; G.711Mu; PCM; G.726
Alarm	
Alarm Event	Network disconnection; IP conflict; illegal access; motion detection; video tampering; audio detection; SMD (human); security exception
Network	
Network Port	RJ-45 (10/100 Base-T)
SDK and API	Yes
Network Protocol	IPv4; IPv6; HTTP; TCP; UDP; ARP; RTP; RTSP; RTCP; RTMP; SMTP; FTP; DHCP; DNS; DDNS; NTP; Multicast; ICMP; IGMP; P2P
Interoperability	ONVIF (Profile S; Profile T); CGI
User/Host	6 (Total bandwidth: 24 M)
Storage	FTP
Browser	IE; Chrome; Firefox
Management Software	Smart PSS Lite; DSS; DMSS
Mobile Client	iOS;Android
Cyber Security	Configuration encryption;trusted execution;Digest;security logs;HTTPS;trusted upgrade;WSSE;trusted boot;account lockout;generation and importing of X.509 certification;video encryption

Certification

Certifications	CE-LVD: EN62368-1 CE-EMC: Electromagnetic Compatibility Directive 2014/30/EU
----------------	---

Power

Power Supply	12 VDC/PoE (802.3af)
Power Consumption	Basic: 2 W (12 VDC); 2.9 W (PoE) Max. (H.265 + intelligence on+ WDR + illuminator intensity): 4.6 W (12 VDC); 5.7 W (PoE)

Environment

Operating Temperature	-40 °C to +60 °C (-40 °F to +140 °F)
Operating Humidity	≤95%
Storage Temperature	-40 °C to +60 °C (-40 °F to +140 °F)
Storage Humidity	≤95%
Protection	IP67, IK10

Structure

Casing Material	Inner core: Metal+plastic Cover: Plastic
Product Dimensions	100.9 mm × Φ109.9 mm (3.97" × Φ4.33")
Net Weight	0.33 kg (0.73 lb)
Gross Weight	0.45 kg (0.99 lb)

Ordering Information

Type	Model	Description
4MP Camera	DH-IPC-HDW1439V-A-IL	4MP Entry Smart Dual Light Fixed-focal Eyeball Network Camera
Accessories (Optional)	PFA13G	Junction Box
	PFB205W-E	Wall Mount Bracket
	PFA152-E	Pole Mount Bracket
	PFA109	Mount Adapter
	PFB220C	Ceiling Mount Bracket
	PFM321D	12 VDC 1A Power Adapter
	PFM900-E	Integrated Mount Tester

Accessories

Optional:



PFA13G Junction Box



PFB205W-E Wall Mount Bracket



PFA152-E Pole Mount Bracket



PFA109 Mount Adapter



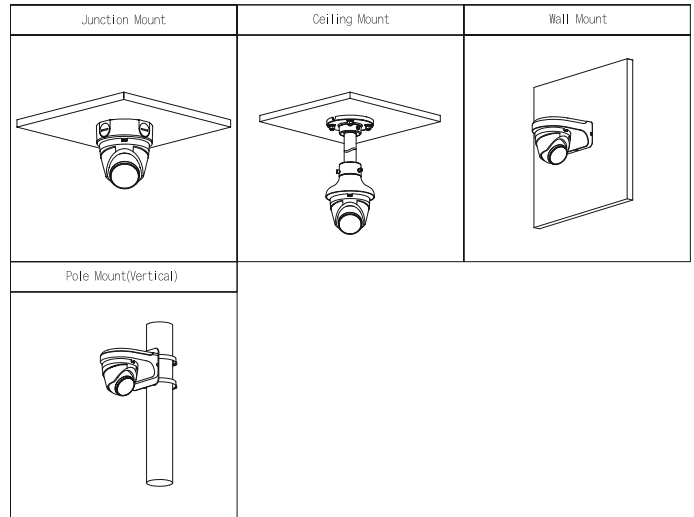
PFB220C Ceiling Mount Bracket



PFM321D 12 VDC 1 A Power Adapter



PFM900-E Integrated Mount Tester



Dimensions (mm[inch])

